

# Building Wrap

## Installation guide



This guide will help you with installing all of Perma “R” Products Building Wrap brands. The most effective time to install water-resistive barriers is when: walls are constructed, roof sheathing is installed, step flashings and kick out flashings are installed, and BEFORE the windows and doors are set. If windows and doors are already set, please refer to the flashing manufacturer install instruction of sealing Building Wrap.

Perma “R” Products manufactures PermaPro™, PermaWrap™, and PermaGuard™ Building Wraps. When attaching Building Wrap on wood-base sheathing, such as 7/16” OSB or 15/32” plywood, apply corrosion resistant staples, nails or plastic-capped corrosion resistant staples or nails spaced between 36 inches (914mm) and 48 inches (1,219 mm) vertically and horizontally. When attaching Building Wrap on an open stud or non-structure sheathing, apply corrosion resistant staples or nails, plastic-capped corrosion resistant staples or nails long enough to penetrate the stud spaced between 36 inches (914mm) and 48 inches (1,219 mm) vertically and horizontally. When installing Building Wrap over a steel frame, use screws with washers. When used over rigid foam insulation, the Building Wrap must be fastened with roofing nails or other large-headed nails long enough to penetrate through the insulation into the framing studs.

### Vertical Wall Installation

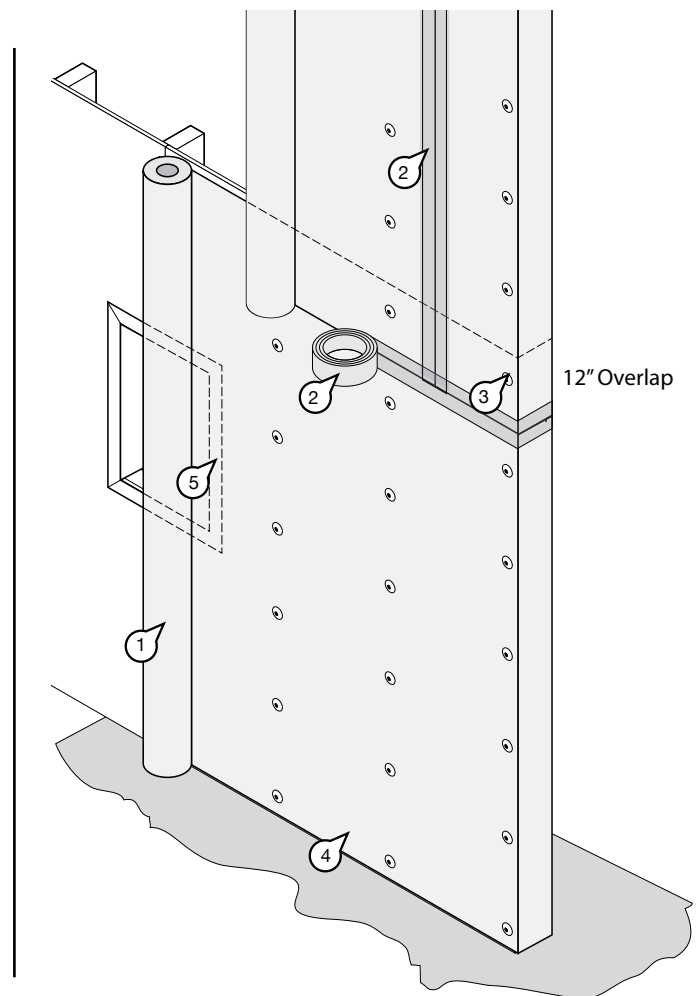
1. Vertically position Building Wrap on building corner with the printed side out. Allow a 6” flap (153 mm) to wrap the corner for attachment to the adjoining wall. When attaching Building Wrap on wood-base sheathing, such as 7/16” OSB or 15/32” plywood, apply plastic-capped staples or plastic capped nails every 32 inches (vertically and horizontally). When attaching Building Wrap on an open stud or non-structure sheathing, apply plastic capped staples or plastic capped nails long enough to penetrate the stud every 32 inches (vertically and horizontally).

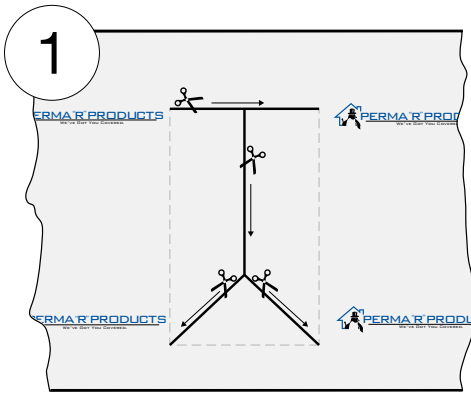
2. Overlap subsequent rolls with 6” (152 mm) vertical and horizontal laps in the field and 12” (304 mm) at the inside and outside corners. Tape all vertical and horizontal seams, and penetrations.

3. Unroll the Building Wrap along the exterior wall. Pull the Building Wrap snug and fasten to studs or sheathing and to top and bottom plates.

4. Extend the bottom edge of the Building Wrap 2-4 inches (51-102 mm) over the sill plate.

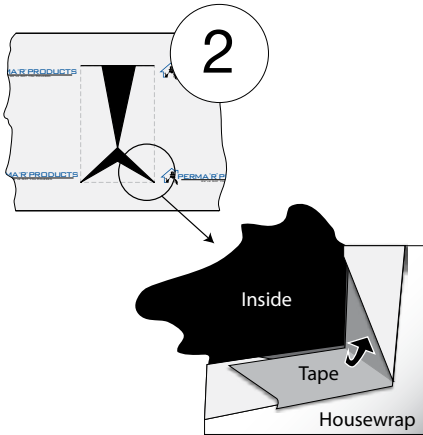
5. Wrap the building completely, covering window and door openings, plates, sills and corners. When wrapping multi-level houses, the top sheet of the Building Wrap should overlap the lower sheet at least 6 inches (152 mm).



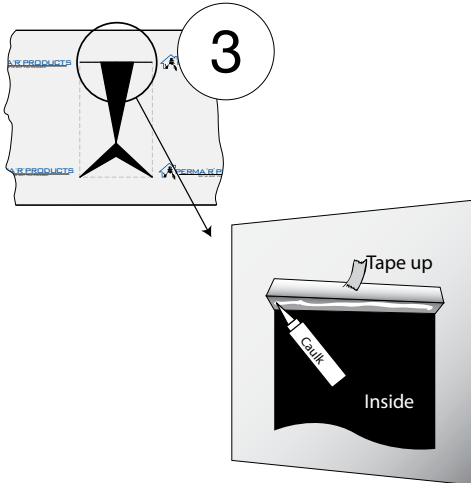


## Window & Door Preparation

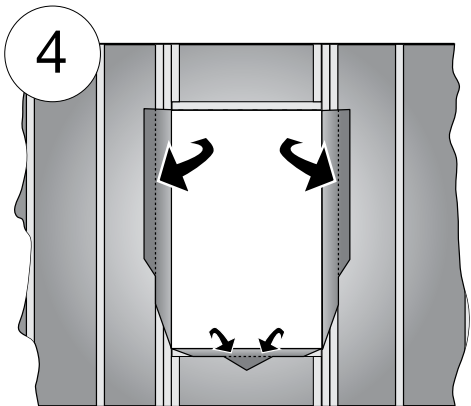
1. When installing windows make what is called a “martini” cut in the window opening. As you can see the cut looks like an upside down martini glass.



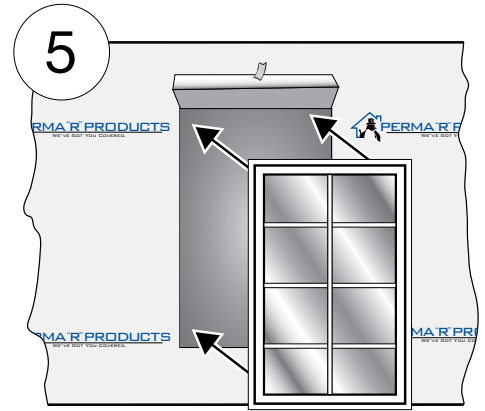
2. A critical area is the sill portion, or the bottom corners of the window. Take a 10 inch piece of window tape and bend it in half. Pull back the house wrap and apply the first 5 inches up the jack stud of the window opening. Then apply the last 5 inches on top of the house wrap that is stapled to the window sill. As you can see, the shingle method of installing the tape under the side and over the sill portion, will allow water to work itself down the outside of the building. Just be sure to caulk the area where the tape meets the 45 degree angle cut at the bottom, as there will be a small pinhole that water could penetrate.



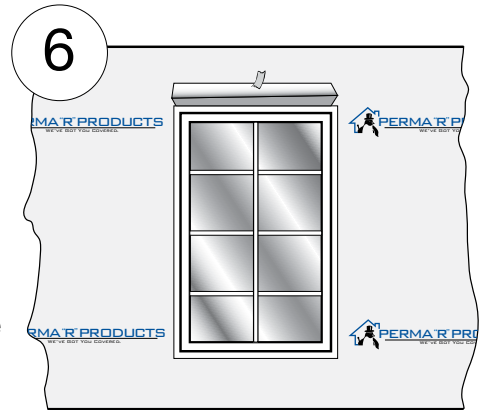
3. Cut the building wrap in the upper corners on a small 45 degree angle. This cut should just be enough to easily fit the window flange under. Tape the wrap out of the way to caulk and install the window.



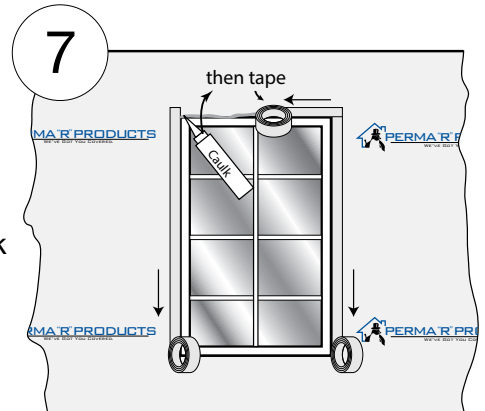
4. Pull each of the flaps tightly inside the rough opening and attach them to the frame with nails, staples or tape.



5. Apply caulking around the top and sides of the rough opening. It's not recommend to caulk the bottom/sill.



6. Follow the window and door manufacturers' recommendations and instructions for proper installation.



Disclaimer: These recommended install instructions are based on good building practices and believed reliable, however, we make no warranty or guarantee that our house wrap products will keep out liquid water from penetrating around windows or door openings. Consult local building officials for compliance requirements.